

Dough dividing and moulding machine

ROTAMAT EN 1/2
Dough dividing and moulding machine 20.08.2012

ROTAMAT EN

Automatic dough dividing and moulding machine for round and quadratic small baked goods

ROTAMAT EN is suitable for dividing and moulding of dough of various consistencies and recipes.

- Classic roll dough
- Mixed and special roll dough
- Pretzel doughs
- Doughnut doughs
- Sweet doughs usual within the baking industry

Advantages

Two automatic processes

- pressing and dividing
- pressing, dividing and moulding

ROTAMAT EN can be adjusted with a single hand movement

Adjustable moulding intensity

- Moulding height and moulding time can be adjusted appropriate to dough

Very exact dough portioning

Very exact dough weight

Very gentle dough handling

- Even with long proofing, existing structures keep their shape
- High quality products manufactured even with dough that has a low absorption rate
- Optimum baking volume

Time saved thanks to automation

- While ROTAMAT EN is working, you have time to do other things, for example preparing the next pressing plates

Takes up little space

- Automation is now possible in the smallest bakery

Easy to clean

- Hygienic
- Knife blades are easy to install and remove
- Easy-care, high-quality materials

Safety

- During operation, a guard closes off the working area
- If foreign bodies come between the worktable and the guard, operation is automatically stopped

Options

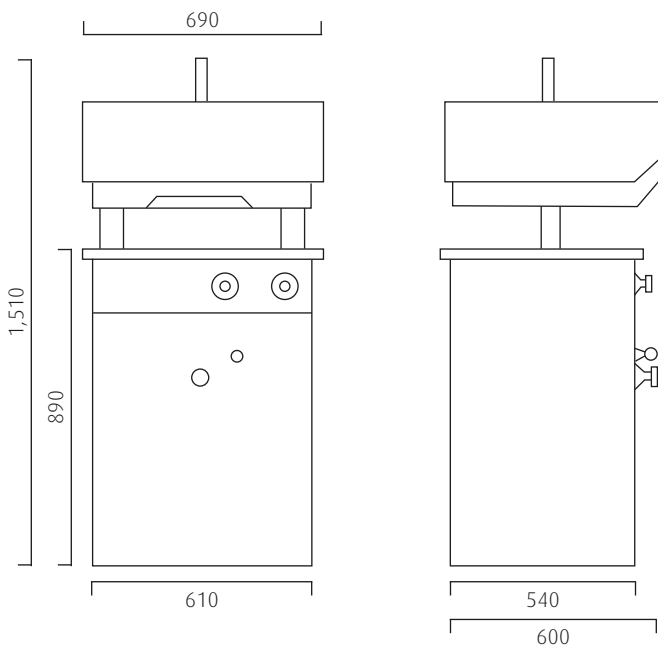
- More pressing plates





ROTAMAT EN

ROTAMAT EN 2/2
Dough dividing and moulding machine 20.08.2012



Dimensions in mm.

Technical data

Dough dividing	pieces per press	30
Weight range	g/piece	30 - 70
Max. weight of dough per press	g	2,100
Weight of ROTAMAT EN	kg	405
Absorption rate when dividing	%	140 - 175
Absorption rate when moulding	%	140 - 165
Drive power at 400 V		
- Main motor	kW	0.75
- DC current motor	kW	0.20
Connected load	kVA	1.6



® = registered trademark

All details non-binding. Subject to change in the course of technical progress. All rights reserved.