

*think process!*



**JACK**  
Manual loading system

## JACK

### EASY TO LOAD WITH JACK, THE MANUAL LOADER

The Matador® MDE makes your life easier with JACK, the optional manual loader. Loading at convenient working height, easy lifting to the desired oven height, inserting the setter and setting by hand. And unloading is equally simple.

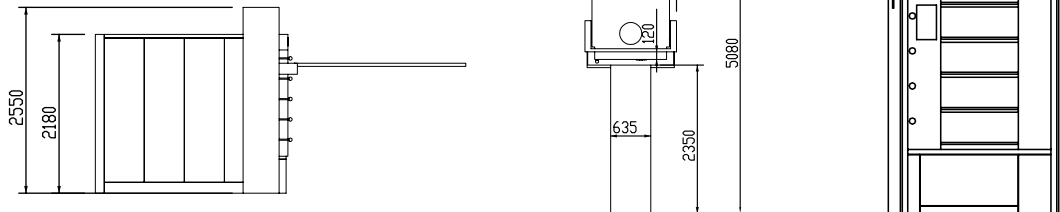
**MANUAL  
LOADING SYSTEM FOR  
LOADING AND UNLOADING  
OF DECK OVENS**



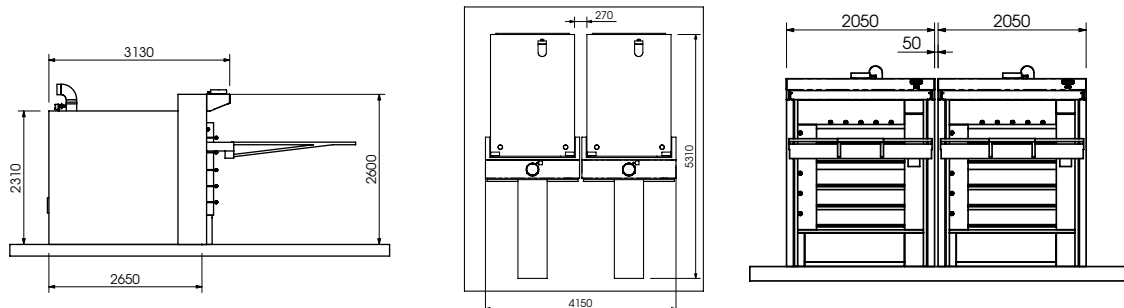
### BENEFITS

- Reduced workload
  - relief of staff from heavy physical work
  - time savings
- Simple operation
- Optimum utilization of oven capacity
  - energy saving
  - increased productivity
- Maximum safety standards

#### For single width MATADOR deck oven



#### For double width MATADOR deck oven



#### WERNER & PFLEIDERER LEBENSMITTELTECHNIK GMBH

von-Raumer-Str. 8-18 // D-91550 Dinkelsbühl // Phone +49 9851-905-0 // Fax +49 9851-9058-342 //  
info@wp-l.de // www.wp-l.de // www.wpbakerygroup.com